

---

# Surface Mount Chip LEDs

## Technical Data

---

### HSMx-C110/C120/C150/ C170/C177/C190/C191/ C197/C265

---

#### Features

- **Small Size**
- **Industry Standard Footprint**
- **Compatible with IR Solder**
- **Diffused Optics**
- **Operating Temperature Range of -30°C to +85°C**
- **Right Angle & Reverse Mount Package Available**
- **Various Colors Available**
- **Available in 8 mm Tape on 7 in. (178 mm) Diameter Reels**

#### Applications

- **Keypad Backlighting**
- **Push-Button Backlighting**
- **LCD Backlighting**
- **Symbol Backlighting**
- **Front Panel Indicator**

#### Description

These chip LEDs are designed in an industry standard package for ease of handling and use. Various different LED colors are available in nine compact, single color packages.

The HSMx-C150 has the industry standard 3.2 x 1.6 mm footprint that is excellent for all around use. The HSMx-C170 has the widely used 2.0 x 1.25 mm footprint with 0.8 mm profile. The HSMx-C177 has the widely used 2.0 x 1.25 mm footprint with 0.4 mm profile. The HSMx-C19x series has the industry standard 1.6 x 0.8 mm footprint with varying profile to suit designers needs, the HSMx-C190 has 0.8 mm profile, the HSMx-C191 has a low profile of 0.6 mm, and the HSMx-C197 has the ultra low profile of 0.4 mm. This family with its thin profile and wide viewing angle makes this LED exceptional for backlighting applications.

The HSMx-C110 is a right angle package with the universally accepted dimensions of 3.2 x 1.0 x 1.5 mm. The HSMx-C120 is a smaller right angle package with industry standard 1.6 x 0.6 x 1.0 mm. HSMx-C265 is a reverse



mount package with dimensions of 3.4 x 1.25 x 1.1 mm. These devices are ideal for LCD backlighting and sidelighting applications.

In order to facilitate pick and place operation, these chip LEDs are shipped in tape and reel with 4000 units per reel for HSMx-C120, C170, C177, C190, C191, C197 packages, and 3000 units per reel for HSMx-C110, C150, C265 packages.

All packages are compatible with IR reflow solder processes. The small size and wide viewing angle make these LEDs prime choices for backlighting applications and front panel illumination especially where space is a premium.

## Device Selection Guide

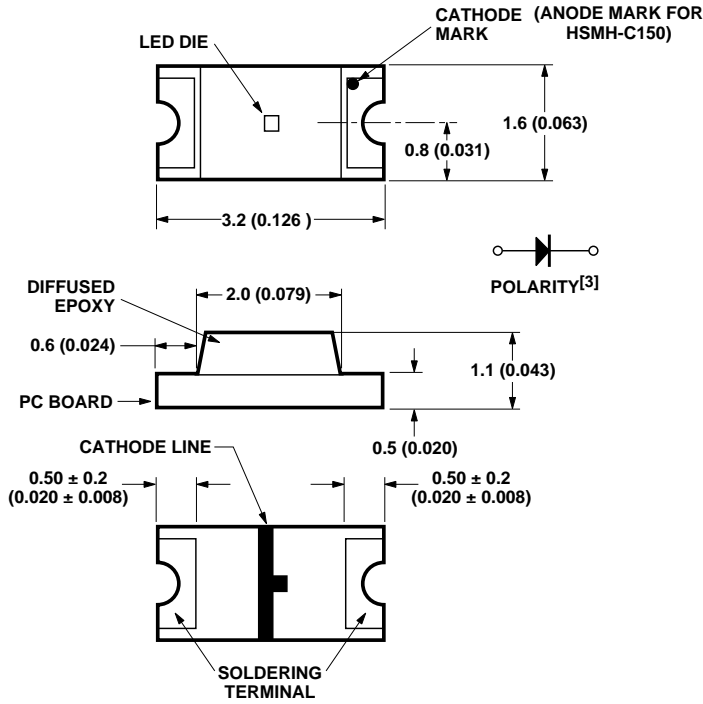
### GaP

| <b>Green</b> | <b>HER</b> | <b>Orange</b> | <b>Yellow</b> | <b>Description</b>     |
|--------------|------------|---------------|---------------|------------------------|
| HSMG-C110    | HSMS-C110  | HSMD-C110     | HSMY-C110     | Untinted, Non-Diffused |
| HSMG-C120    | HSMS-C120  | HSMD-C120     | -             | Untinted, Non-Diffused |
| HSMG-C150    | HSMS-C150  | HSMD-C150     | HSMY-C150     | Untinted, Diffused     |
| HSMG-C170    | HSMS-C170  | HSMD-C170     | HSMY-C170     | Untinted, Diffused     |
| HSMG-C177    | HSMS-C177  | HSMD-C177     | -             | Untinted, Diffused     |
| HSMG-C190    | HSMS-C190  | HSMD-C190     | HSMY-C190     | Untinted, Diffused     |
| HSMG-C191    | HSMS-C191  | HSMD-C191     | HSMY-C191     | Untinted, Diffused     |
| HSMG-C197    | HSMS-C197  | HSMD-C197     | HSMY-C197     | Untinted, Diffused     |
| HSMG-C265    | -          | -             | -             | Untinted, Non-Diffused |

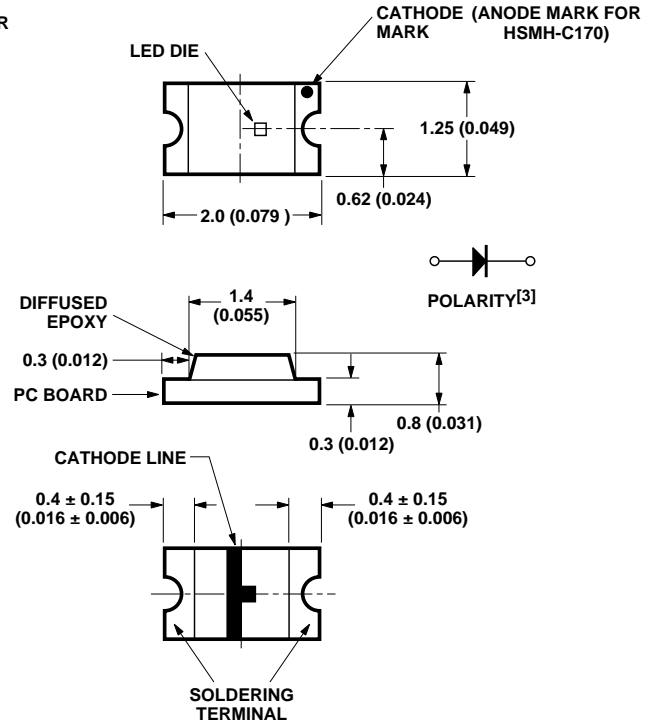
### As AlGaAs

| <b>Red</b> | <b>Description</b>     |
|------------|------------------------|
| HSMH-C110  | Untinted, Non-Diffused |
| HSMH-C120  | Untinted, Non-Diffused |
| HSMH-C150  | Untinted, Diffused     |
| HSMH-C170  | Untinted, Diffused     |
| HSMH-C190  | Untinted, Diffused     |
| HSMH-C191  | Untinted, Diffused     |
| HSMH-C265  | Untinted, Non-Diffused |

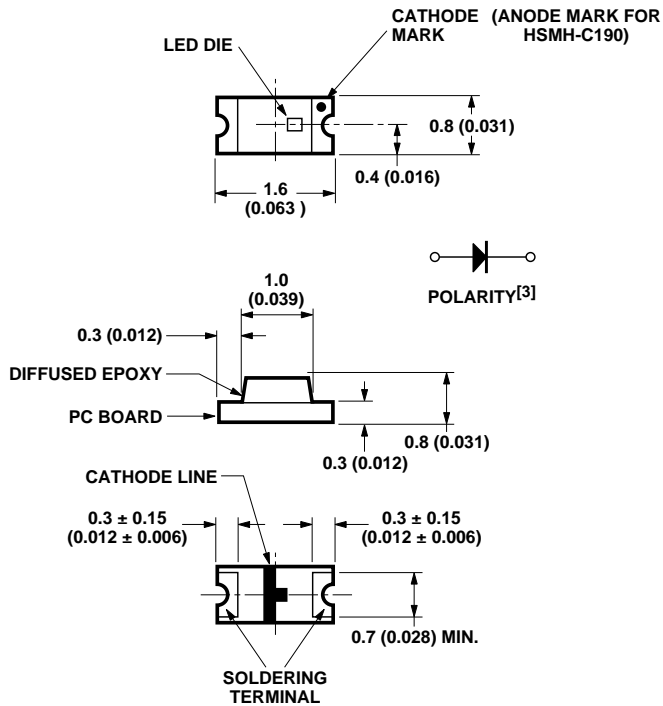
## Package Dimensions



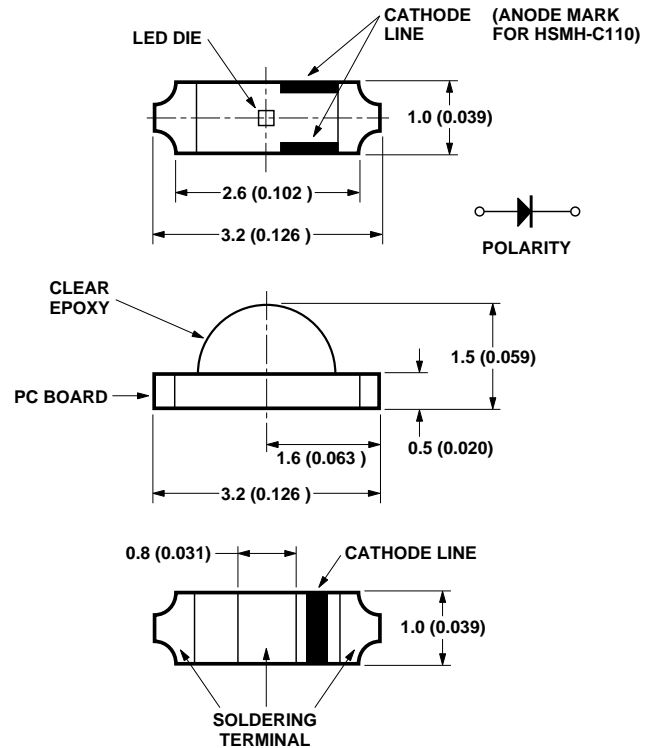
**HSMx-C150**



**HSMx-C170**



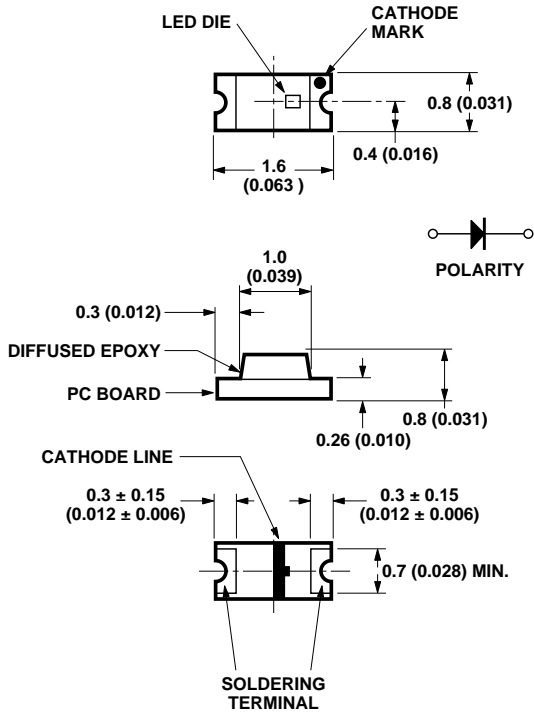
**HSMx-C190**



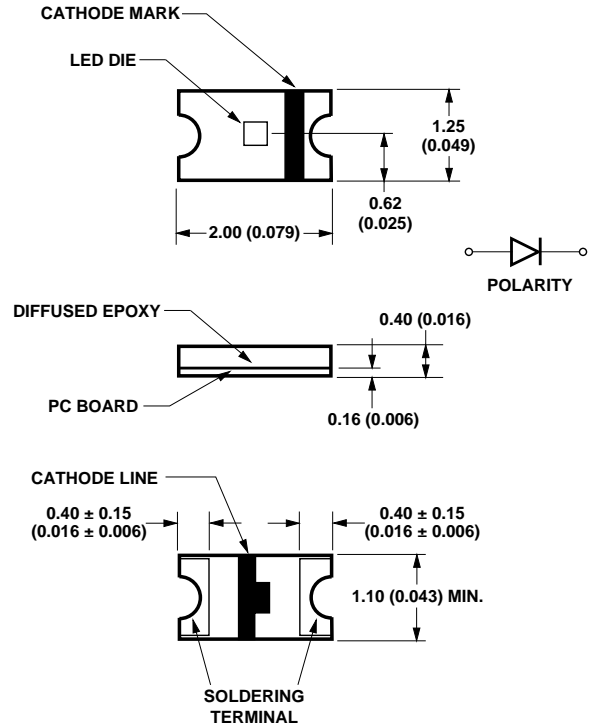
**HSMx-C110**

**Notes:**

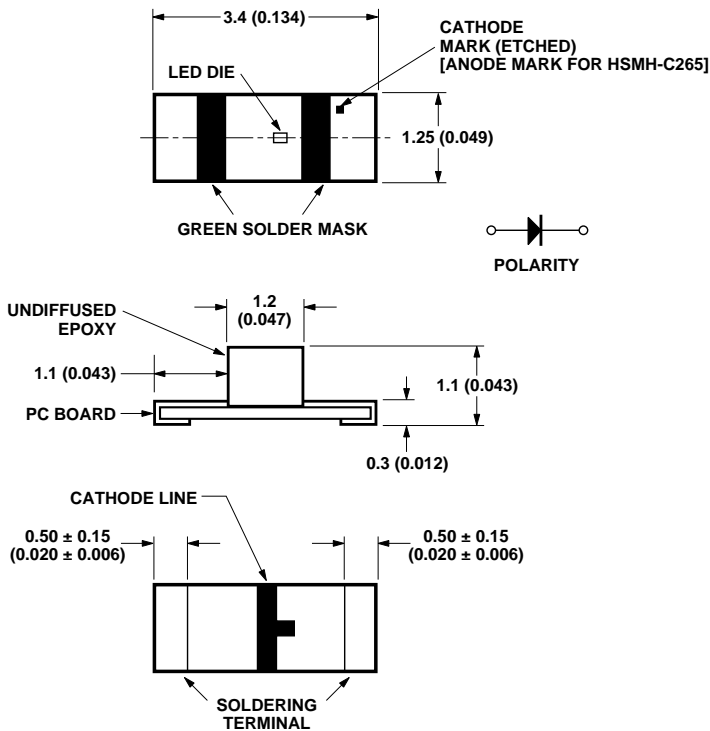
1. All dimensions in millimeters (inches).
2. Tolerance is ± 0.1 mm (± 0.004 in.) unless otherwise specified.
3. Polarity for HSMH-C1 x 0 will be the opposite of what is shown on above drawings.



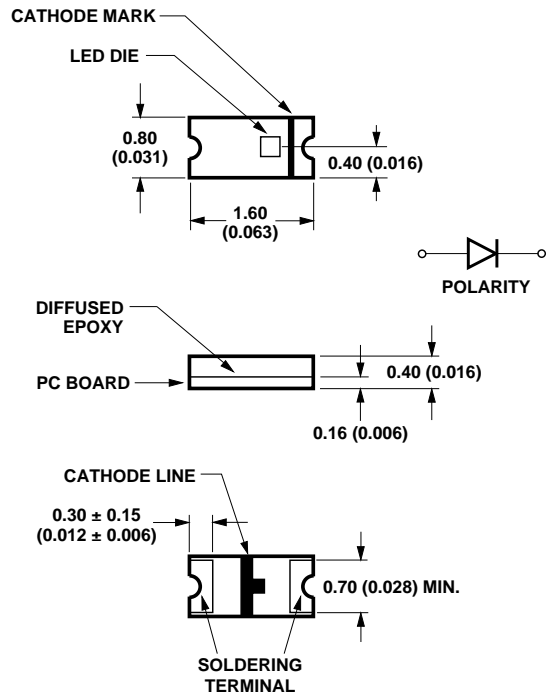
**HSMx-C191**



**HSMx-C177**



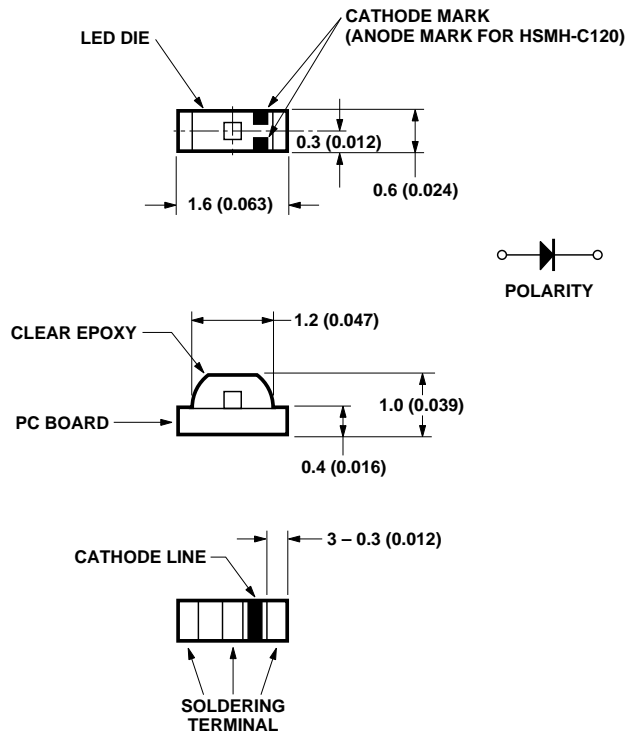
**HSMx-C265**



**HSMx-C197**

**Notes:**

1. All dimensions in millimeters (inches).
2. Tolerance is ± 0.1 mm (± 0.004 in.) unless otherwise specified.
3. Polarity for HSMH-C1 x 0 will be the opposite of what is shown on above drawings.



## HSMx-C120

### Notes:

1. All dimensions in millimeters (inches).
2. Tolerance is  $\pm 0.1$  mm ( $\pm 0.004$  in.) unless otherwise specified.
3. Polarity for HSMH-C1x0 will be the opposite of what is shown on above drawings.

### Absolute Maximum Ratings for GaP at $T_A=25^\circ\text{C}$

| Parameter                                  | C110/150/265                                 | C120/170/177/190/191/197 | Units            |
|--|--|--------------------------|------------------|
| DC Forward Current <sup>[1]</sup>          | 25   | 20                       | mA               |
| Peak Pulsing Current <sup>[2]</sup>        | 100  | 100                      | mA               |
| Power Dissipation                          | 65   | 52                       | mW               |
| Reverse Voltage ( $I_R=100\ \mu\text{A}$ ) | 5  | 5                        | V                |
| LED Junction Temperature                   | 95   | 95                       | $^\circ\text{C}$ |
| Operating Temperature Range                | -30 to +85                                   | -30 to +85               | $^\circ\text{C}$ |
| Storage Temperature Range                  | -40 to +85                                   | -40 to +85               | $^\circ\text{C}$ |
| Soldering Temperature                      | See reflow soldering profile (Figure 9 & 10) |                          |                  |

### Absolute Maximum Ratings for AlGaAs at $T_A=25^\circ\text{C}$

| Parameter                                  | C110/150                                     | C120/170/177/190/191/197/265 | Units            |
|--|--|------------------------------|------------------|
| DC Forward Current <sup>[1]</sup>          | 30   | 25                           | mA               |
| Peak Pulsing Current <sup>[2]</sup>        | 100  | 100                          | mA               |
| Power Dissipation                          | 78   | 65                           | mW               |
| Reverse Voltage ( $I_R=100\ \mu\text{A}$ ) | 5  | 5                            | V                |
| LED Junction Temperature                   | 95   | 95                           | $^\circ\text{C}$ |
| Operating Temperature Range                | -30 to +85                                   | -30 to +85                   | $^\circ\text{C}$ |
| Storage Temperature Range                  | -40 to +85                                   | -40 to +85                   | $^\circ\text{C}$ |
| Soldering Temperature                      | See reflow soldering profile (Figure 9 & 10) |                              |                  |

#### Notes:

- Derate linearly as shown in Figure 4 for temperature above  $25^\circ\text{C}$ .
- Pulse condition of 1/10 duty and 0.1 msec. width.

### Electrical Characteristics at $T_A=25^\circ\text{C}$

| Part Number   | Color  | Forward Voltage $V_F$ (Volts)<br>@ $I_F = 20\ \text{mA}$ |      | Reverse Breakdown $V_R$ (Volts)<br>@ $I_R = 100\ \mu\text{A}$ | Capacitance $C$ (pF),<br>@ $V_F = 0\ \text{V}$ ,<br>$f = 1\ \text{MHz}$ | Thermal Resistance $R\theta_{J-P}$ ( $^\circ\text{C}/\text{W}$ ) |
|---|--------|--|------|---|---|--|
|   |        | Typ.   | Max. | Min.  | Typ.  | Typ.   |
| HSMS-C110/150<br>HSMS-C120<br>HSMS-C170/177/190/191/197     | HER    | 2.1  | 2.6  | 5   | 5   | 400<br>350<br>250  |
| HSMD-C110/150<br>HSMD-C120<br>HSMD-C170/177/190/191/197     | Orange | 2.2  | 2.6  | 5   | 7   | 400<br>350<br>250  |
| HSMY-C110/150<br>HSMY-C170/190/191/197                      | Yellow | 2.1  | 2.6  | 5   | 6   | 400<br>250   |
| HSMG-C110/150<br>HSMG-C120<br>HSMG-C170/177/190/191/197/265 | Green  | 2.2  | 2.6  | 5   | 9   | 400<br>350<br>250  |
| HSMH-C110/150<br>HSMH-C120<br>HSMH-C170/190/191/265         | AlGaAs | 1.8  | 2.6  | 5   | 18  | 460<br>400<br>300  |

## Optical Characteristics at $T_A=25^\circ\text{C}$

| Part Number   | Color  | Luminous Intensity <sup>[1]</sup><br>I <sub>v</sub> (mcd)@20mA |      | Peak Wavelength<br>$\lambda_{\text{peak}}$ (nm) | Dominant Wavelength<br>$\lambda_d$ (nm) | Viewing Angle $2\theta_{1/2}$ (°) <sup>[2]</sup> |
|---|--------|--|------|---|---|--|
|   |        | Min.   | Typ. | Typ.  | Typ.                                    | Typ.   |
| HSMG-C110/177/197<br>HSMG-C120<br>HSMG-C150/170/190/191/265 | Green  | 4.5  | 15.0 | 570   | 572                                     | 130<br>155<br>170                                |
| HSMS-C110/177/197<br>HSMS-C120<br>HSMS-C150/170/190/191     | HER    | 2.8  | 10.0 | 630   | 626                                     | 130<br>155<br>170                                |
| HSMD-C110/177/197<br>HSMD-C120<br>HSMD-C150/170/190/191     | Orange | 2.8  | 8.0  | 605   | 604                                     | 130<br>155<br>170                                |
| HSMY-C110/197<br>HSMY-C150/170/190/191                      | Yellow | 2.8  | 8.0  | 589   | 586                                     | 130<br>170                                       |
| HSMH-C110<br>HSMH-C120<br>HSMH-C150/170/190/191/265         | AlGaAs | 7.2  | 17.0 | 660   | 639                                     | 130<br>155<br>170                                |

### Notes:

1. The luminous intensity, I<sub>v</sub>, is measured at the peak of the spatial radiation pattern, which may not be aligned with the mechanical axis of the lamp package.
2.  $\theta_{1/2}$  is the off-axis angle where the luminous intensity is 1/2 the peak intensity.

## Color Bin Limits<sup>[1]</sup>

### Green Color Bins<sup>[1]</sup>

| Bin ID | Dom. Wavelength (nm) |       |
|--------|----------------------|-------|
|        | Min.                 | Max.  |
| A      | 561.5                | 564.5 |
| B      | 564.5                | 567.5 |
| C      | 567.5                | 570.5 |
| D      | 570.5                | 573.5 |
| E      | 573.5                | 576.5 |

Tolerance:  $\pm 0.5$  nm

### Yellow/Amber Color Bins<sup>[1]</sup>

| Bin ID | Dom. Wavelength (nm) |       |
|--------|----------------------|-------|
|        | Min.                 | Max.  |
| A      | 582.0                | 584.5 |
| B      | 584.5                | 587.0 |
| C      | 587.0                | 589.5 |
| D      | 589.5                | 592.0 |
| E      | 592.0                | 594.5 |
| F      | 594.5                | 597.0 |

Tolerance:  $\pm 0.5$  nm

### Orange Color Bins<sup>[1]</sup>

| Bin ID | Dom. Wavelength (nm) |       |
|--------|----------------------|-------|
|        | Min.                 | Max.  |
| A      | 597.0                | 600.0 |
| B      | 600.0                | 603.0 |
| C      | 603.0                | 606.0 |
| D      | 606.0                | 609.0 |
| E      | 609.0                | 612.0 |
| F      | 612.0                | 615.0 |

Tolerance:  $\pm 1$  nm

## Light Intensity (Iv) Bin Limits<sup>[1]</sup>

| Bin ID | Intensity (mcd) |       | Bin ID | Intensity (mcd) |         |
|--------|-----------------|-------|--------|-----------------|---------|
|        | Min.            | Max.  |        | Min.            | Max.    |
| A      | 0.11            | 0.18  | N      | 28.50           | 45.00   |
| B      | 0.18            | 0.29  | P      | 45.00           | 71.50   |
| C      | 0.29            | 0.45  | Q      | 71.50           | 112.50  |
| D      | 0.45            | 0.72  | R      | 112.50          | 180.00  |
| E      | 0.72            | 1.10  | S      | 180.00          | 285.00  |
| F      | 1.10            | 1.80  | T      | 285.00          | 450.00  |
| G      | 1.80            | 2.80  | U      | 450.00          | 715.00  |
| H      | 2.80            | 4.50  | V      | 715.00          | 1125.00 |
| J      | 4.50            | 7.20  | W      | 1125.00         | 1800.00 |
| K      | 7.20            | 11.20 | X      | 1800.00         | 2850.00 |
| L      | 11.20           | 18.00 | Y      | 2850.00         | 4500.00 |
| M      | 18.00           | 28.50 |        |                 |         |

Tolerance:  $\pm 15\%$

Note:

1. Bin categories are established for classification of products. Products may not be available in all categories. Please contact your Agilent representative for information on currently available bins.

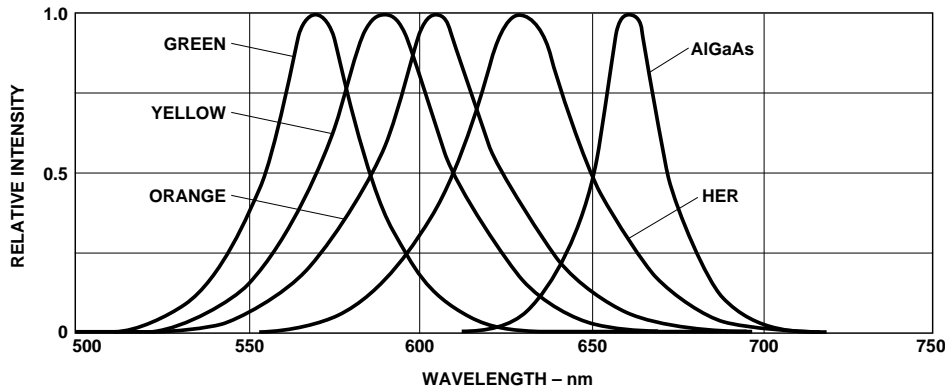


Figure 1. Relative Intensity vs. Wavelength.

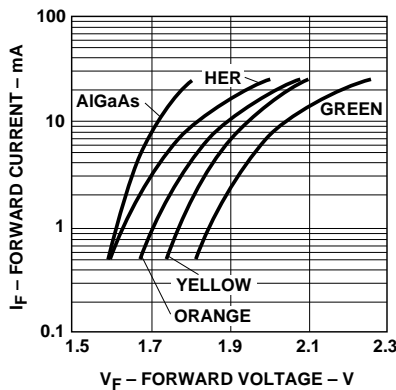


Figure 2. Forward Current vs. Forward Voltage.

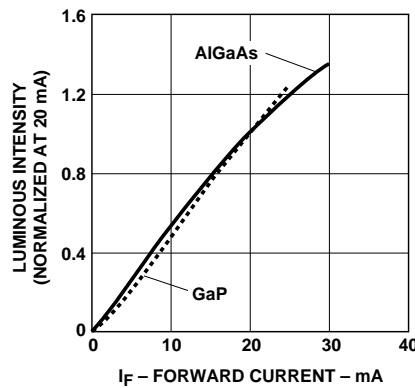


Figure 3. Luminous Intensity vs. Forward Current.

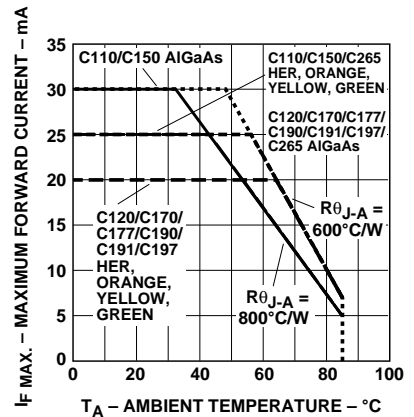


Figure 4. Maximum Forward Current vs. Ambient Temperature.



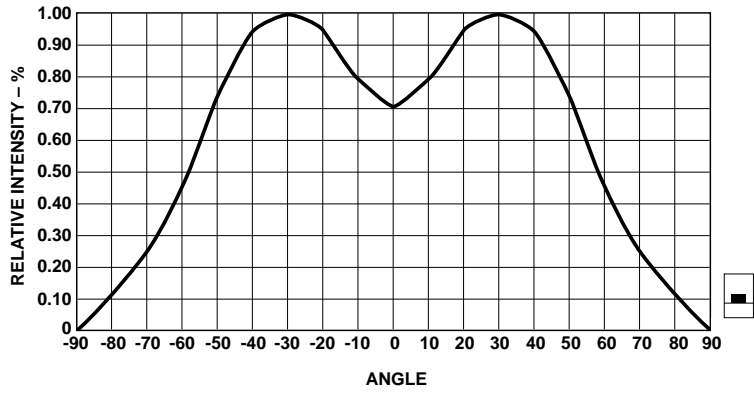
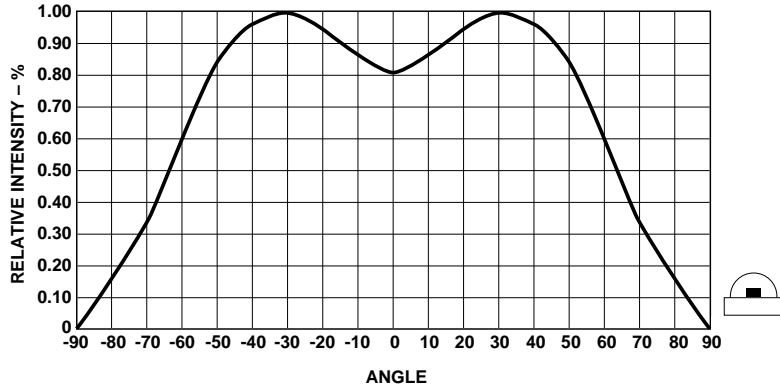


Figure 5. Relative Intensity vs. Angle for HSMx-C110.

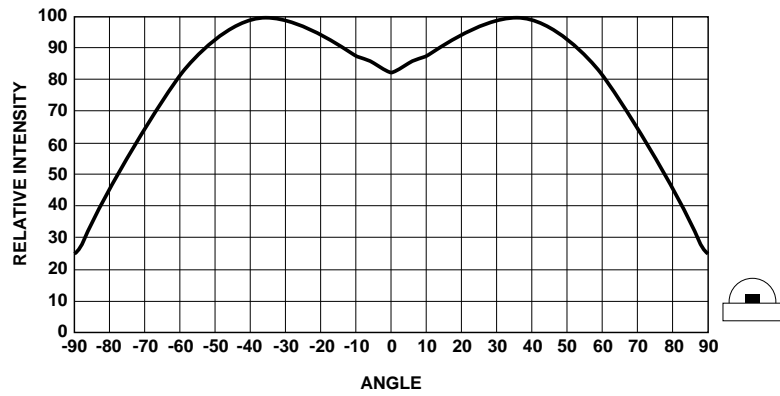


Figure 6. Relative Intensity vs. Angle for HSMx-C120.

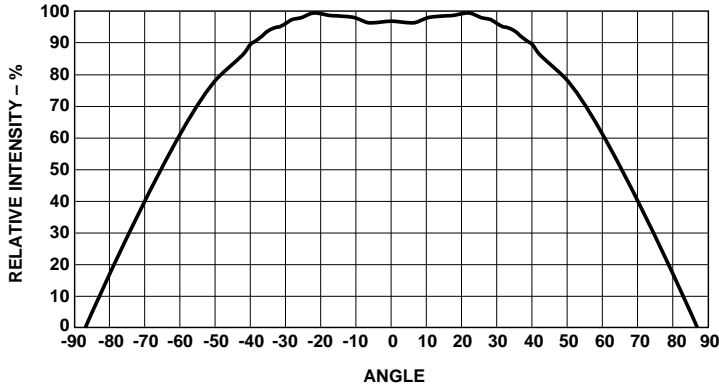


Figure 7. Relative Intensity vs. Angle for HSMx-C177 and C197.

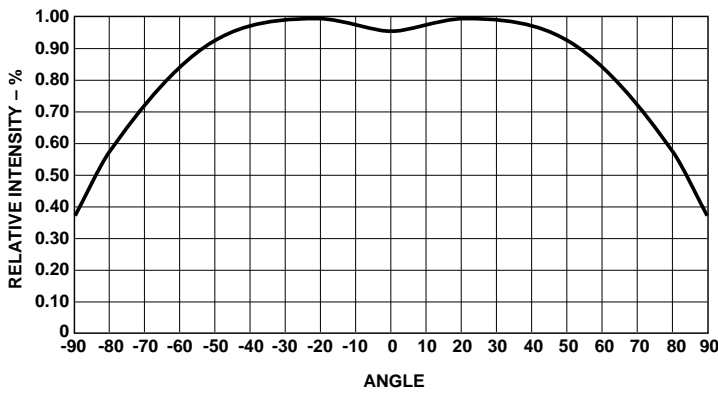


Figure 8. Relative Intensity vs. Angle for HSMx-C150, C170, C190, C191 and C265.

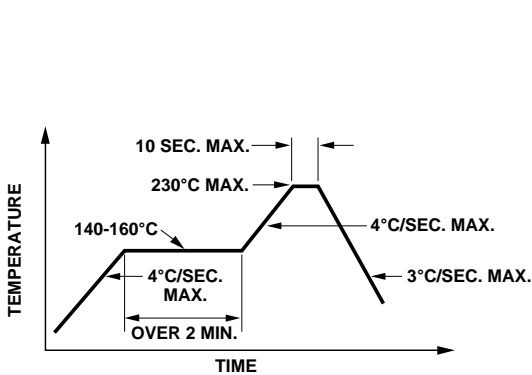
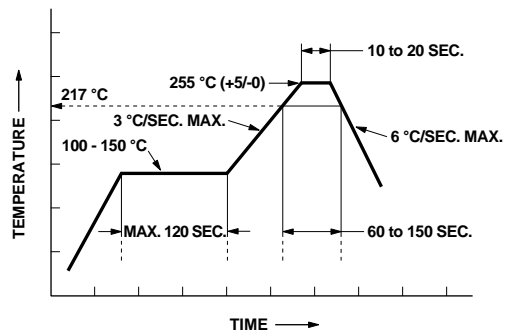


Figure 9. Recommended Reflow Soldering Profile.



\* THE TIME FROM 25 °C TO PEAK TEMPERATURE = 6 MINUTES MAX.

Figure 10. Recommended Pb-Free Reflow Soldering Profile.

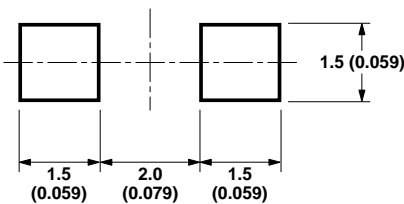


Figure 11. Recommended Soldering Pattern for HSMx-C150.

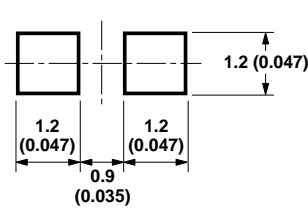


Figure 12. Recommended Soldering Pattern for HSMx-C170 and C177.

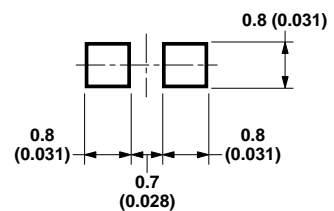


Figure 13. Recommended Soldering Pattern for HSMx-C190, C191 and C197.

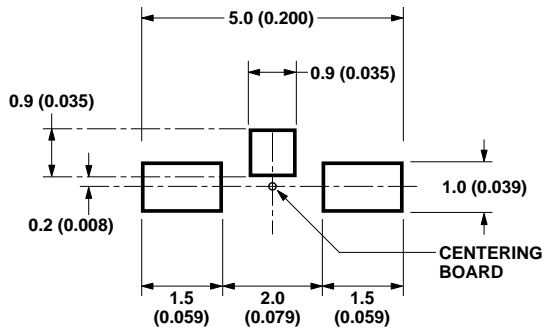


Figure 14. Recommended Soldering Pattern for HSMx-C110.

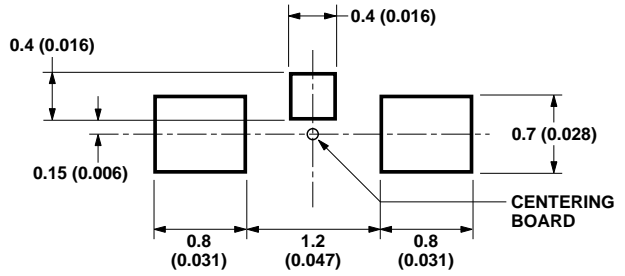


Figure 15. Recommended Soldering Pattern for HSMx-C120.

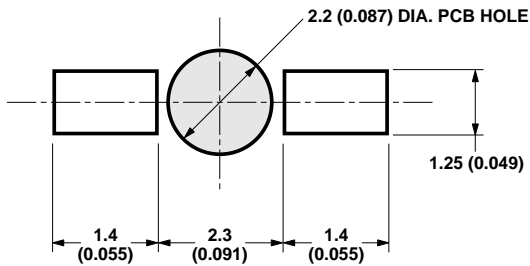


Figure 16. Recommended Soldering Pattern for HSMx-C265.

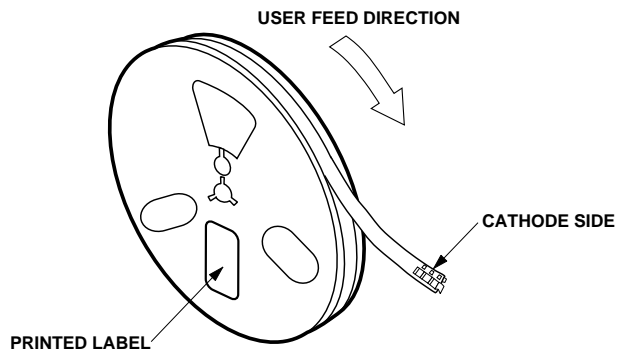


Figure 17. Reeling Orientation.

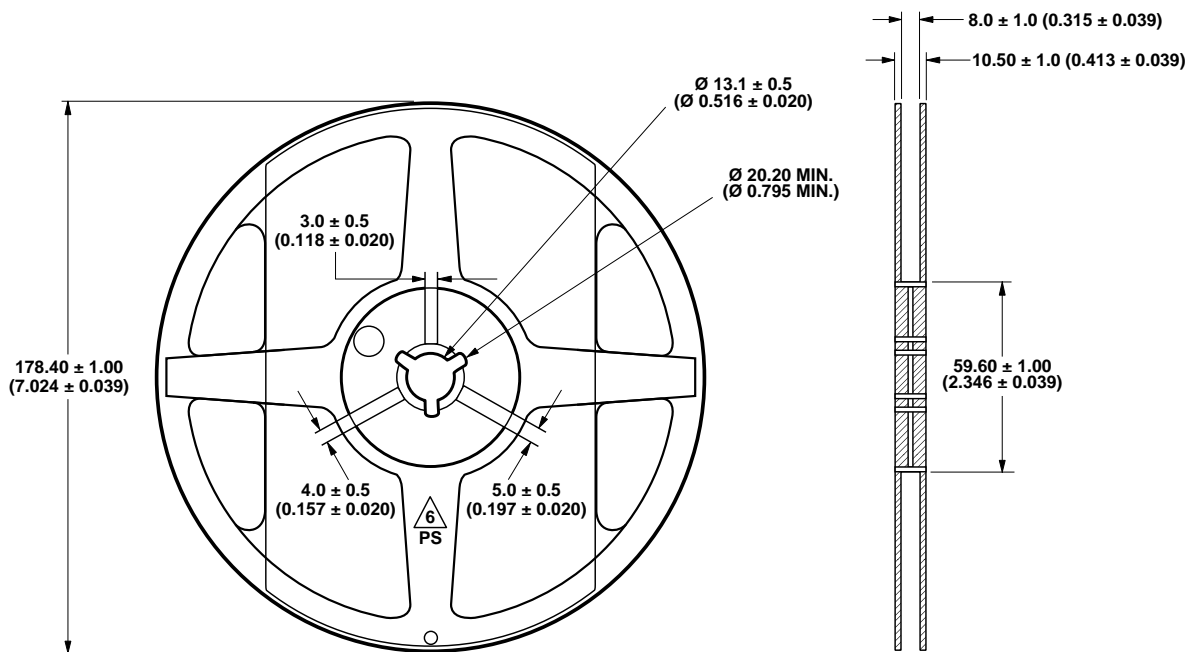


Figure 18. Reel Dimensions.

Note: All dimensions in millimeters (inches).

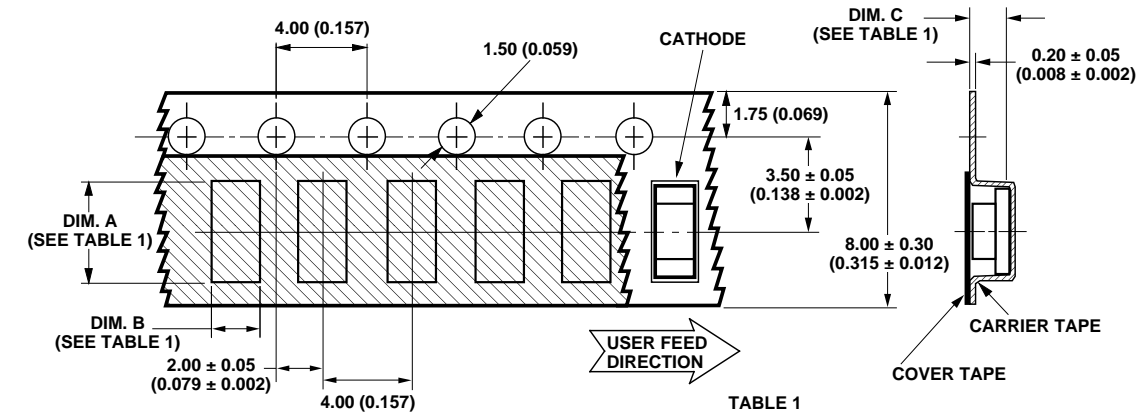


TABLE 1  
DIMENSIONS IN MILLIMETERS (INCHES)

| PART NUMBER      | DIM. A<br>± 0.10 (0.004) | DIM. B<br>± 0.10 (0.004) | DIM. C<br>± 0.10 (0.004) |
|------------------|--------------------------|--------------------------|--------------------------|
| HSMx-C110 SERIES | 3.40 (0.134)             | 1.70 (0.067)             | 1.20 (0.047)             |
| HSMx-C120 SERIES | 1.90 (0.075)             | 1.15 (0.045)             | 0.80 (0.031)             |
| HSMx-C150 SERIES | 3.50 (0.138)             | 1.88 (0.074)             | 1.27 (0.050)             |
| HSMx-C170 SERIES | 2.30 (0.091)             | 1.45 (0.057)             | 0.95 (0.037)             |
| HSMx-C177 SERIES | 2.30 (0.091)             | 1.40 (0.055)             | 0.60 (0.024)             |
| HSMx-C190 SERIES | 1.80 (0.071)             | 0.95 (0.037)             | 0.87 (0.034)             |
| HSMx-C191 SERIES | 1.86 (0.073)             | 0.89 (0.035)             | 0.87 (0.034)             |
| HSMx-C197 SERIES | 1.75 (0.069)             | 0.95 (0.037)             | 0.60 (0.024)             |

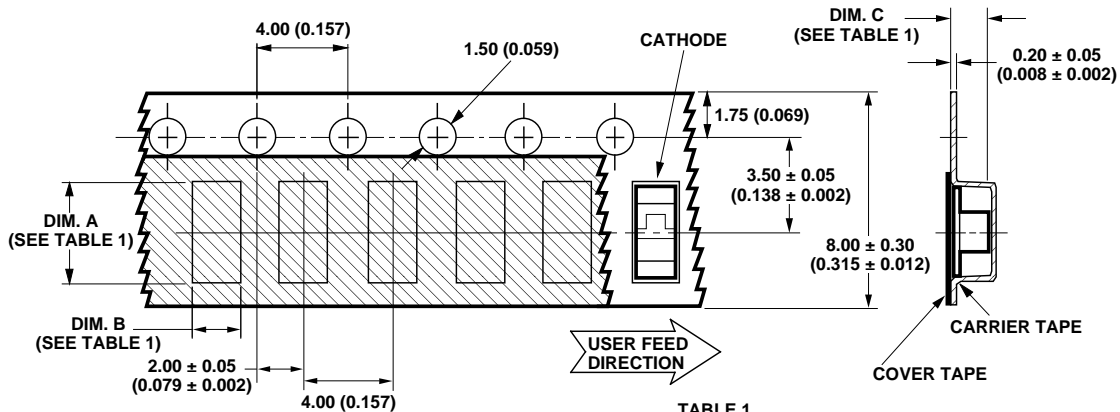
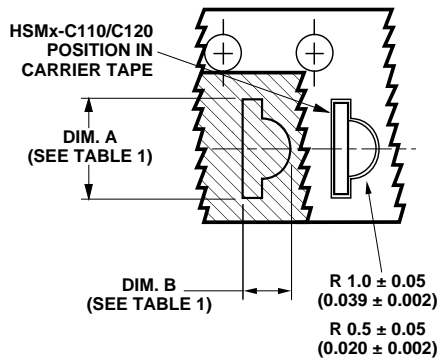
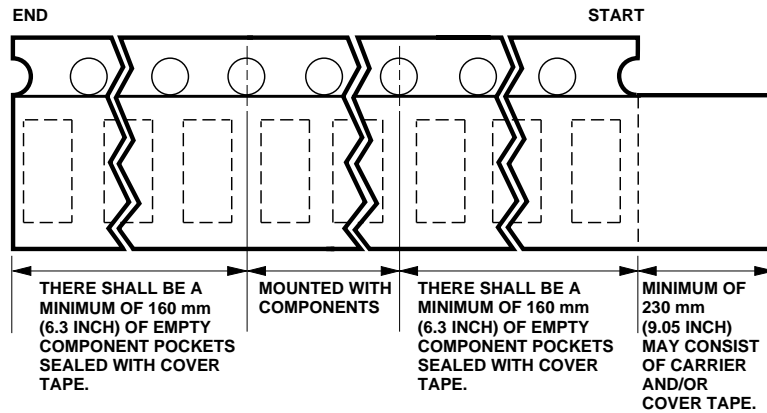


TABLE 1  
DIMENSIONS IN MILLIMETERS (INCHES)

| PART NUMBER      | DIM. A<br>± 0.10 (0.004) | DIM. B<br>± 0.10 (0.004) | DIM. C<br>± 0.10 (0.004) |
|------------------|--------------------------|--------------------------|--------------------------|
| HSMx-C265 SERIES | 3.70 (0.146)             | 1.45 (0.057)             | 1.30 (0.051)             |

Figure 19. Tape Dimensions.



**Figure 20. Tape Leader and Trailer Dimensions.**

**Notes:**

1. All dimensions in millimeters (inches).
2. Tolerance is  $\pm 0.1$  mm ( $\pm 0.004$  in.) unless otherwise specified.

Storage Condition: 5 to 30° C  
@ 60% RH max.

Baking is required under the condition:

- a) the blue silica gel indicator becoming white/transparent color
- b) the pack has been opened for more than 1 week

Baking recommended condition:  
60  $\pm$  5° C for 20 hours.

### Convective IR Reflow Soldering

For more information on IR reflow soldering, refer to Application Note 1060, *Surface Mounting SMT LED Indicator Components*.

### [www.agilent.com/semiconductors](http://www.agilent.com/semiconductors)

For product information and a complete list of distributors, please go to our web site.

For technical assistance call:

Americas/Canada: +1 (800) 235-0312 or (916) 788-6763

Europe: +49 (0) 6441 92460

China: 10800 650 0017

Hong Kong: (+65) 6756 2394

India, Australia, New Zealand: (+65) 6755 1939

Japan: (+81 3) 3335-8152 (Domestic/International), or 0120-61-1280 (Domestic Only)

Korea: (+65) 6755 1989

Singapore, Malaysia, Vietnam, Thailand, Philippines, Indonesia: (+65) 6755 2044

Taiwan: (+65) 6755 1843

Data subject to change.

Copyright © 2004 Agilent Technologies, Inc.

Obsoletes 5988-6271EN

May 17, 2004

5989-0463EN

This datasheet has been download from:

[www.datasheetcatalog.com](http://www.datasheetcatalog.com)

Datasheets for electronics components.