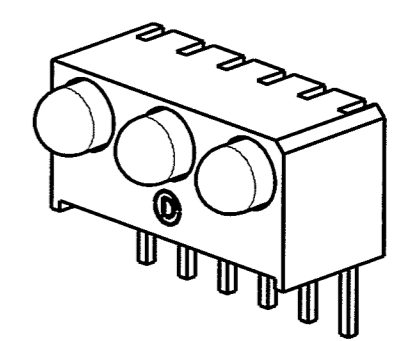
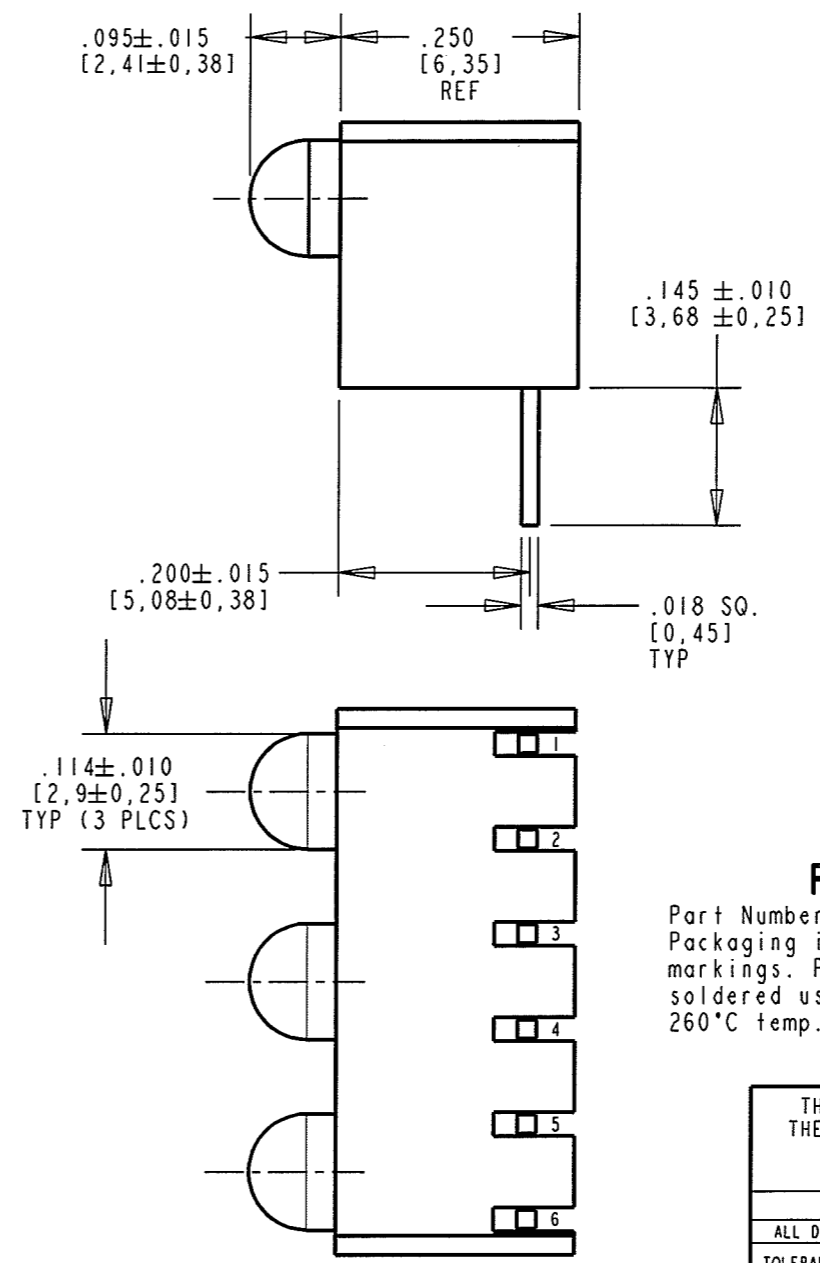
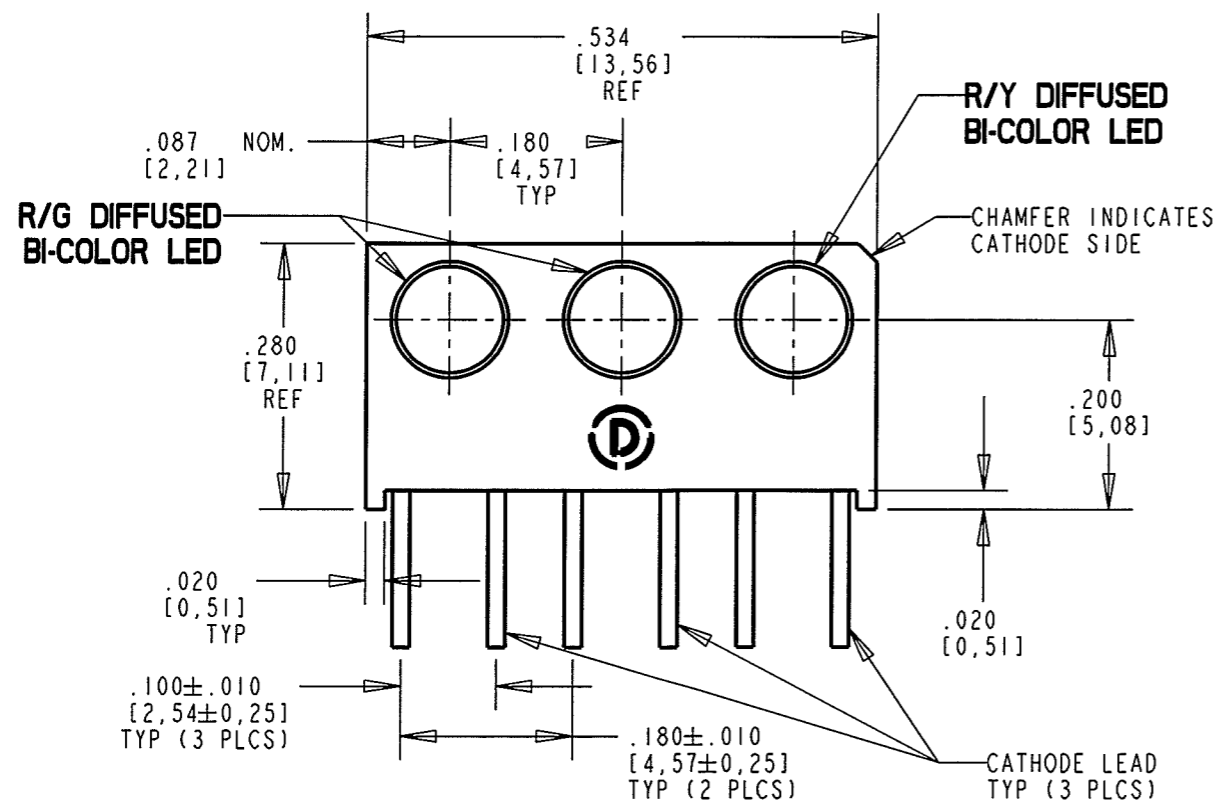


ABSOLUTE MAXIMUM RATINGS AT 25°C AMBIENT	R/G BI-COLOR		R/Y BI-COLOR		UNITS
	RED	GREEN	RED	YELLOW	
POWER DISSIPATION	100	100	100	60	mW
CONTINUOUS FORWARD CURRENT	30	30	30	20	mA
PEAK FORWARD CURRENT (1/10 DUTY CYCLE, 10 ms PULSE WIDTH)	120	120	120	80	mA
DERATE LINEARLY FROM 50°C	.40	.40	.40	.25	mA/°C
REVERSE VOLTAGE	5	—	—	—	V
STORAGE TEMPERATURE	-55 TO +100		-55 TO +100		°C
OPERATING TEMPERATURE	-55 TO +100		-55 TO +100		°C
SOLDERING TEMPERATURE, 1/16" FROM BODY FOR 5 SEC	260		260		°C

REV	ECN NO	REVISIONS	DRN	CKD	APP	DATE
A	—	NEW RELEASE	KLJ	7.0	1/17/08	1/17/08

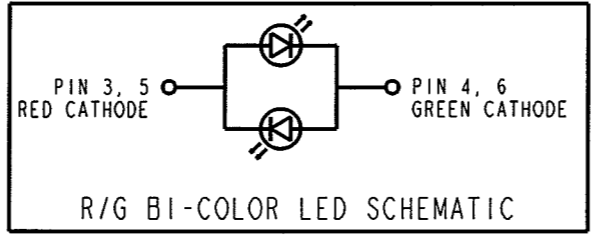
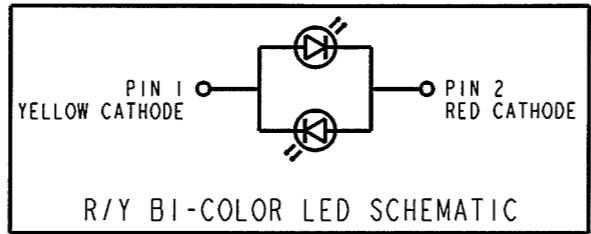
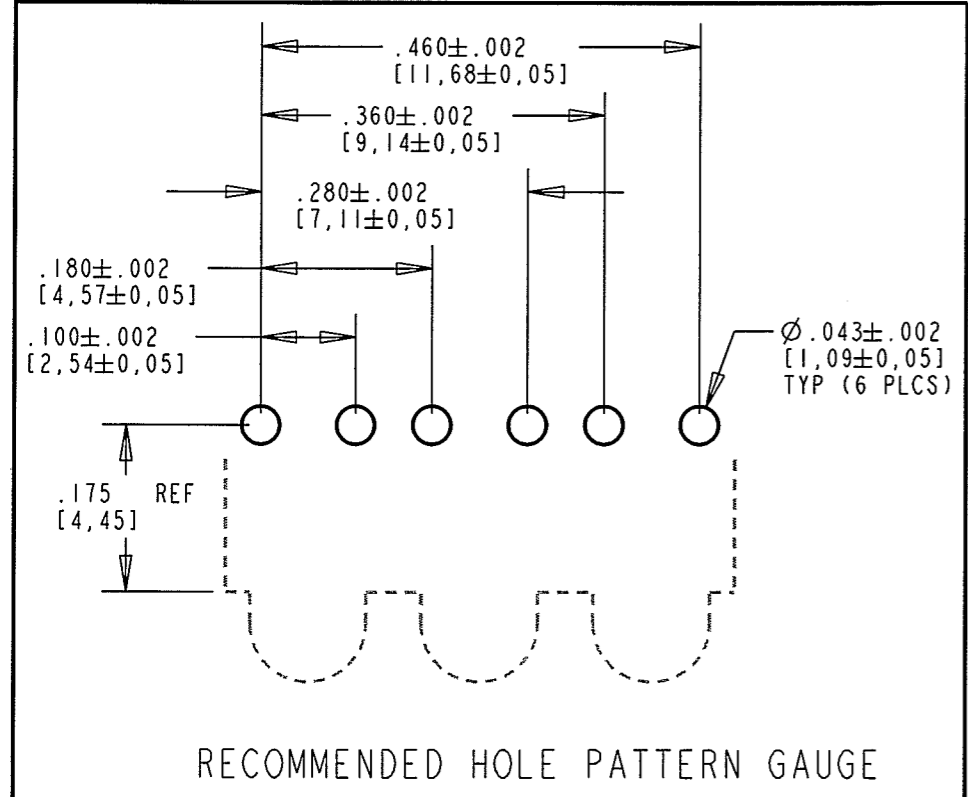
OPERATING CHARACTERISTICS AT 25°C AMBIENT										
LED	COLOR	LUMINOUS INTENSITY @ I _F = 10 mA FOR R/G @ I _F = 20 mA FOR R/Y (mcd)			FORWARD VOLTAGE @ I _F = 20 mA (V)			REVERSE CURRENT (μA)	PEAK WAVELENGTH (nm)	VIEWING ANGLE (DEG)
		MIN	TYP	MAX	MIN	TYP	MAX	MAX	TYP	TYP
R/G DIFFUSED BI-COLOR LED	RED	2.5	4.7	—	—	2.0	2.8	100	635	60
	GREEN	3.7	10.0	—	—	2.1	2.8		565	
R/Y DIFFUSED BI-COLOR LED	RED	1.7	5.6	—	—	2.0	2.8	—	630	80
	YELLOW	1.7	5.6	—	—	2.1	2.8		585	



ATTENTION:
OBSERVE PRECAUTIONS FOR
HANDLING ELECTROSTATIC
SENSITIVE DEVICES

RoHS COMPLIANT 551-0003-832F

Part Numbers with the "F" suffix ending are RoHS Compliant. Packaging is marked with "RoHS Compliant" label or equivalent markings. Parts can be wave soldered, dip soldered or hand soldered using typical lead-free soldering process with max 260°C temp. for 5 sec.



NOTES:

- LED LEAD DIMENSIONS SHOWN ARE MEASURED AT HOUSING EXIT.
- LEADS TO FIT INTO HOLES SPACED AS PER PATTERN.
- PIN NUMBERS FOR REFERENCE ONLY, DESIGNATION NON-EXISTENT ON PART.
- DIALIGHT PART NUMBERS: 551-0003-832F.
- THIS ASSEMBLY CONTAINS ELECTROSTATIC DISCHARGE SENSITIVE DEVICES (ESDS). MAINTAIN ALL PRECAUTIONARY MEASURES DURING ASSEMBLY, HANDLING, AND STORAGE IN ACCORDANCE WITH IPC-A-610.

THIS DRAWING AND THE CONTENTS HEREIN ARE CONFIDENTIAL AND THE SOLE PROPERTY OF DIALIGHT. REPRODUCTION OF THIS DRAWING OR CONSTRUCTION OF ANY PARTS WITHIN THIS DRAWING ARE FORBIDDEN WITHOUT THE WRITTEN CONSENT OF DIALIGHT.		
SCALE: 55.000	DRAWING NUMBER	REV
ALL DIM'S IN: INCHES (MM)	C-17593	A
TOLERANCES: UNLESS OTHERWISE SPECIFIED	TITLE Ø3mm LED CBI TRI-BLOCK R/G, R/G, R/Y; RoHS COMPLIANT	
FRACTIONS: ±1/64 DECIMALS (.XX): ±.01 DECIMALS (.XXX): ±.005 DECIMALS (.XXXX): ±.0005 ANGLES: ±1°	MATERIAL	
FINISH:	Dialight 1501 ROUTE 34 SOUTH FARMINGDALE, NJ 07727	
FSCM 83330	SHEET 1 OF 1 FAMILY TABLE:	

Mouser Electronics

Authorized Distributor

Click to View Pricing, Inventory, Delivery & Lifecycle Information:

Dialight:

[551-0003-832F](#)